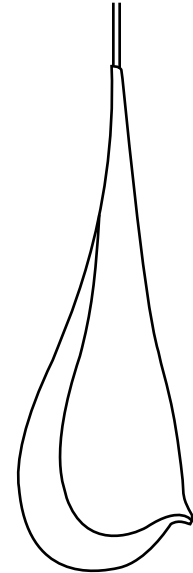

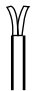

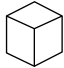



Technical specification sheet



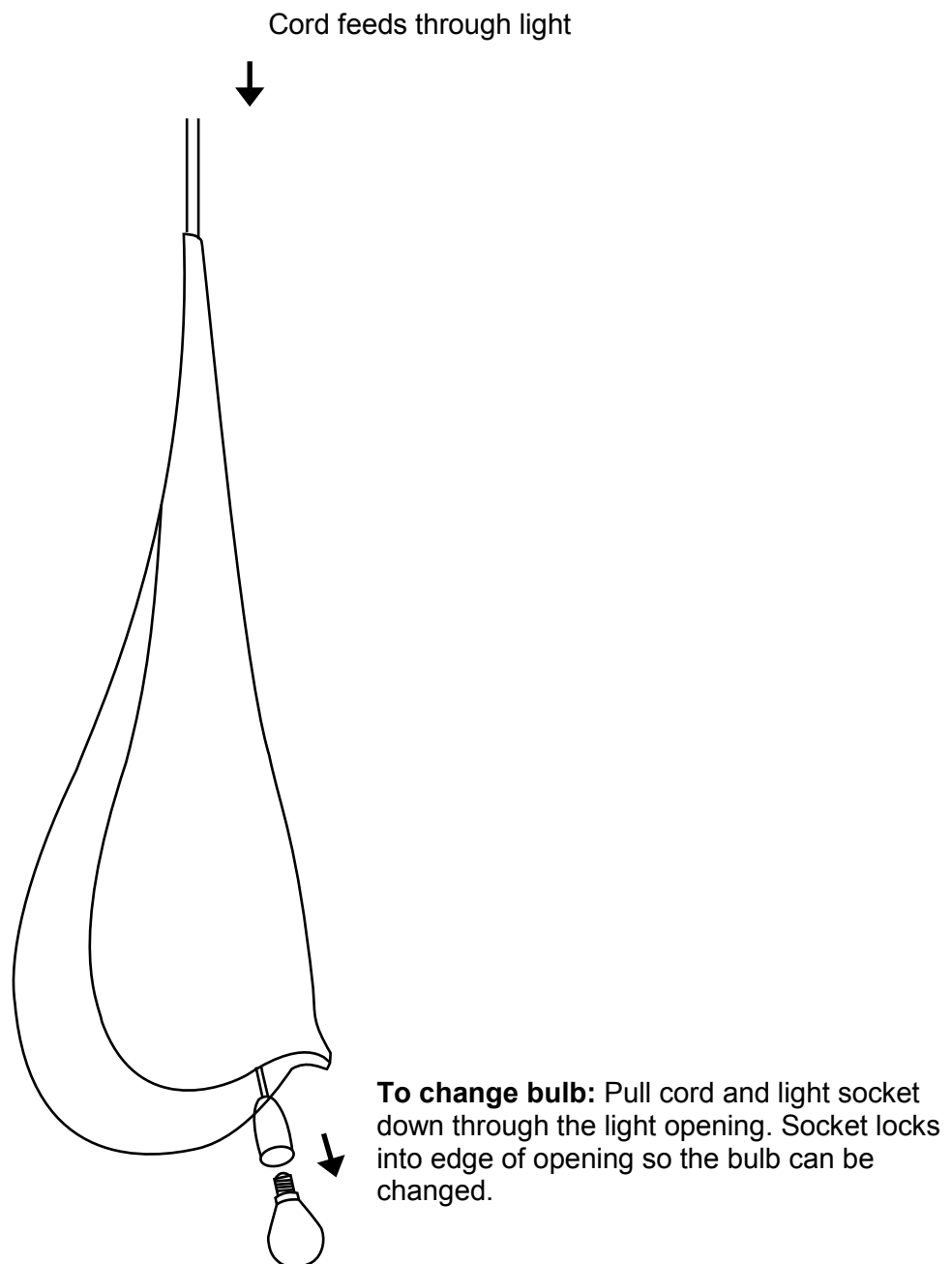
Murex

Type	Pendant
Designer	Robert Foster
Year of Design	2012
Material	Acrylic or saint Ice Plexiglass
Dimensions (mm)	700mm long
Colour	Red or white, Also available in other customised colours for orders over 15 units.
Cleaning Instructions	To clean, use warm soapy water or cleaning products specifically designed for acrylic.

	Light globe	5 watt Compact fluorescent
	Cable length Cable colour	2-3 meter White
	Ceiling rose Diameter Colour Material	90mm White Steel
	Ceiling Plates Diameter	400 mm for 3 pendants 600 mm for 5 pendants
	Colour Material	White Steel
	Packaging (mm)	810 x 260 x 260
	Weight	0.9 kg (Large) 0.3 kg (Small)

F!NK Murex Light installation

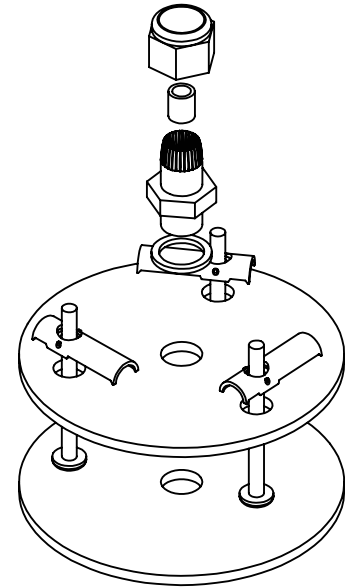
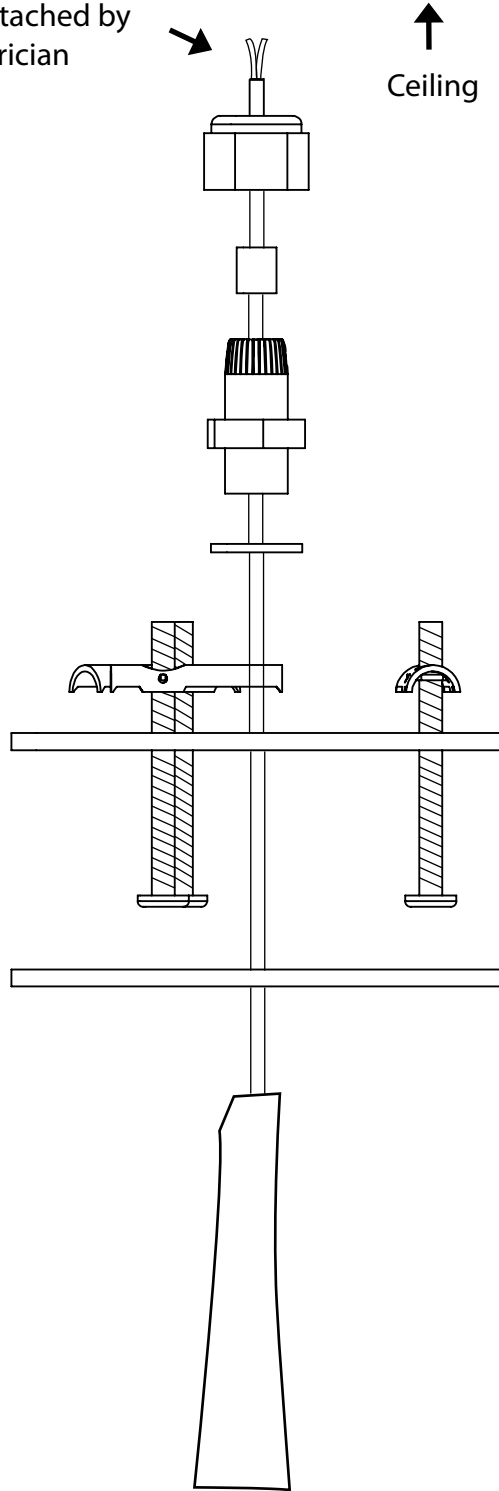
Installation should only be done by a qualified electrician. Each Murex light comes with a light bulb (8-11 watt warm white bayonet), mounting plate, covering plate, 3 x screws, 3 x toggles. The screws should be used when installing into timber or ceiling rafters and the toggles for gyprock plasterboard.



F!NK Murex ceiling rose installation

Cable to be attached by certified electrician

↑
Ceiling



Isometric view



Minimum 250 mm to ceiling

